

TRAINING CALENDAR for AUTOMATION / INSTRUMENTATION, AC/DC DRIVE, MACHINE-TOOL DRIVES and LV SWITCHGEAR PRODUCTS( APR-SEP-09)																											
COURSE TITLE (TRAINING PRODUCT)	Course Code	Days	Course Fees (Rupees) inclusive of Service Tax (10.3%)	Training Dates																							
				APR'09				MAY'09				JUN'09				JULY'09				AUG'09				SEP'09			
				From	To	From	To	From	To	From	To	From	To	From	To	From	To	From	To	From	To	From	To	From	To	From	To
Training Programmes on Automation Products																											
PLC : SIMATIC S7-200	AS200	5	15,180							08.06	12.06							03.08	08.08								
PLC : TIA Basic with SIMATIC S7-300	AS300	8	24,000			04.05	12.05							13.07	21.07							14.09	23.09				
PLC : TIA Advanced with SIMATIC S7	AS400	6	18,000					18.05	23.05																		
SIMATIC NET	AS500	6	15,180																	31.08	04.09						
SIMATIC WinCC	AS600	6	18,000																								
SIMATIC HMI Panels	AS610	3	9,550													27.07	29.07										
Training Programmes on Drive Products																											
Basic AC Drives with MM4 Maintenance	DR410	5	15,180									15.06	19.06														
AC Drive : Masterdrives Vector Control	DR210	6	18,000	06.04	11.04															17.08	22.08						
DC Drive : SIMOREG DC Master 6RA7	DR700	6	18,000			20.04	25.04											27.07	01.08								
Basic course on AC/DC Drives	DR100	4	12,360									1.06	4.06														
Training Programmes on LV Switchgear Products																											
LV Switchgear products & Maintenance	CD 200	3	9,500					25.05	27.05											24.08	25.08						

Note - 1) Training schedules & Courses Fees etc for all courses & batches listed above are subject to General Terms / conditions attached in this same file (on next page)

- 2) HOLIDAYS within the course period will be informed to the participant along with the respective course confirmations
- 3) **DISCOUNT IS APPLICABLE TO CUSTOMERS CONFIRMING MORE THAN ONE PARTICIPANTS:**
- (A) FOR 2 - 3 PARTICIPANTS WE WILL BE OFFERING 5 % DISCOUNT ON ABOVE.
  - (B) FOR 4 - 7 PARTICIPANTS WE WILL BE OFFERING 10 % DISCOUNT ON ABOVE.
  - (C) FOR 8 PARTICIPANTS & ABOVE, WE WILL BE OFFER DISCOUNTS ON CASE TO CASE BASIS (SINCE IT WILL BE AN INDEPENDENT BATCH).

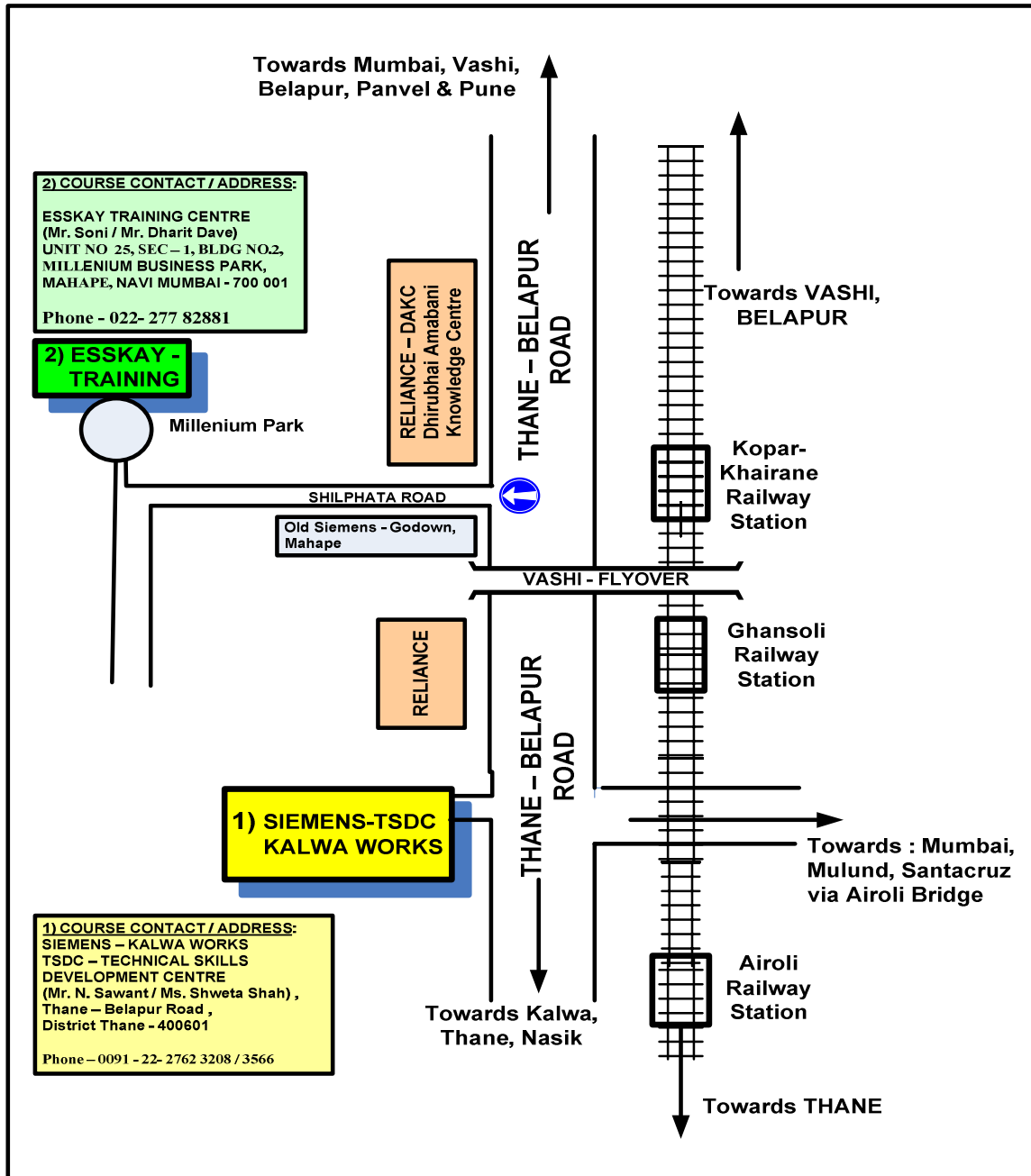
**ATC-WEST**

**ESSKAY SERVICES**  
 BUSINESS MILLENNIUM PARK  
 MAHAPE  
 NAVI MUMBAI -  
 CONTACT: Ms. Sandhya/Ms. Sonam  
 PHONE: 022 27782881  
 EMAIL: mumtc@esskay.in

**Locations for: SITRAIN INDIA (Siemens Kalwa) & ESSKAY SERVICES (Siemens ATC - WEST)**

**1) SIEMENS TRAINING CENTRE :TSDC, THANE-BELAPUR ROAD, KALWA**

**2) SIEMENS TRAINING PARTNER :ESSKAY TRAINING CENTRE ,MAHAPE, NAVI MUMBAI**



Cha in	Hotel Name	★	Category	No:of Rooms	Rates (INR)		Inclusives	Taxes in %	Remarks
					SGL	DBL			
<b>AIRPORT AREA</b>									
	<b>Benzy Palace</b>		<b>01 Oct 07-31 Dec 07</b>						
	Vijaynagar, Marol Maroshi Rd, Andheri (E), Mumbai-400 059. Tel: 28279000-10, Fax: 28507909	3	Economic Room	18	2750	3300	Buffet Breakfast, Airport Transfer		Check-in/ out 1200 noon
			<b>01 Jan 08-30 Sep 08</b>						
			Economic Room	18	2750	3300	Buffet Breakfast, Airport Transfer		Check-in/ out 1200 noon
<b>WESTERN SUBURBAN MUMBAI</b>									
Independent	<b>Hotel Bandra Residency</b>		<b>01 Oct 07-31 Dec 07</b>						
	Guru Nanak Road, Near Bandra Railway Sattion, Bandra (W), Mumbai-400050 Ph:26425399/26456032 or 26456026	3	Deluxe		2300	2300	Breakfast, Airport Pickup	10	
			<b>01 Jan 08-31 Dec 08</b>						
		Deluxe		2500	2500				
<b>NAVI MUMBAI</b>									
Independent	<b>Hotel Heritage Dakshin</b>		<b>01 Jan 08-31 Dec 08</b>						
	Sar Chambers, Sector11, Opp C.B.D station (E), Navi Mumbai - 400614 Ph:2756	3	Single		1200		Buffet Breakfast	12	Check-in/ out 1200 noon
		Double		1500					
		Suite		1750					
	Deluxe Suite		2000						
Independent	<b>Hotel Sai Nidhi</b>		<b>01 Oct 07-31 Dec 07</b>						
	Panchsheel Plaza, Plot.No.36, Sector-5, Airoli, Navi Mumbai-400708 Ph:27697887		Standard		1050	1190	1. Buffet Breakfast Rs.50/-	2. Dinner worth	10
		Deluxe		1330	1330				
		Executive Deluxe		1540	1540				
			<b>01 Jan 08-31 Dec 08</b>						
				Standard		1200	1360	1. Buffet Breakfast Rs.50/-	2. Dinner worth
			Deluxe		1520	1520			
			Executive Deluxe		1760	1760			

Independent	<b>Hotel South Coast</b>		<b>01 Oct 07-31 Dec 07</b>						
	RX 31, MIDC, Thane Belapur Road, Opp.Rabale Railway Station, Navi Mumbai-400701 Ph:27696000 Fax:27698181		Standard	16	1200	1400	Buffet Breakfast	10	
	<b>01 Mar 08-31 Dec 08</b>								
Independent	<b>Venkat Presidency</b>	3	<b>01 May 08 - 31 Dec 08</b>						
	PLOT NO. 29, Sector 6A, Next to M.G. M. Hospital, Kamothe, Navi Mumbai - 410 209. Ph: 27424848/226 6 Fax: 27425544		Standard		1725	1950	Breakfast	10	
			Executive		2100	2325			
			Deluxe			2475			
Presidency Suit			3600						
Independent	<b>Hotel Three Star</b>	3	<b>01 Oct 07-31 Dec 07</b>						
	Hiranandani Crystal Plaza, Sector-7, Kharghar, Navi Mumbai-410210 Ph:27561144 Fax:2756221		Deluxe		1760	2000	Buffet Breakfast	12	Check-in/ out 1200 noon
			<b>01 Jan 08-31 Dec 08</b>						
Independent	<b>Hotel Royal, Sanpada</b>	3	<b>18 Mar 08-30 Sep 08</b>						
	Plot.No-4, Sector-23, Opp Sanpada Railway Station, Mumbai-Pune Highway, Navi Mumbai Ph:65101254 or 27834863 Fax:27617804		Deluxe		2400		Buffet Breakfast	10	
			Premium		3200				

**SIEMENS TRAINING CENTRES IN INDIA  
(ADDRESS & CONTACTS)**

1) (All IA&DT Products Training)  
**SIEMENS TRAINING CENTRE**  
TSDC, KALWA WORKS,  
THANE BELAPUR ROAD,  
THANE - 400601  
CONTACT: Ms. Shweta Shah  
PHONE: 022 2762 3208/3566  
EMAIL: customer.training.in@siemens.com

SITRAIN-India, Kalwa

3) (All IA&DT Products Training)  
**KARUNYA UNIVERSITY**  
KARUNYA NAGAR  
COIMBATORE - 641114  
CONTACT: Mr. Andre Aroume  
PHONE: 0422 2614318  
Email: siemens@karunya.edu

ATC-South

2) (All IA&DT Products Training)  
**ESSKAY SERVICES**  
BUSINESS MILENNIUM PARK  
MAHAPE  
NAVI MUMBAI -  
CONTACT: Ms. Sandhya/Ms. Sonam  
PHONE: 022 27782881  
EMAIL: mumtc@esskay.in

ATC-West

4) **IATC** (All IA&DT Products Training)  
Industrial Automation Training Centre  
178, Phase II  
Industrial Area, Panchkula-134113  
Haryana (INDIA)  
Tel:0172 5044417  
Contact: Ms. Jyoti Bharti  
Email: jyotibharti@iagauto.com

ATC-North

5) (Only Machine Tool Drives Training)  
**BANGALORE - CENTRE**  
EKLAVYA LEARNING CENTRE  
2nd Floor, Du Parc Trinity(Nxt to Big Kids Kemp)  
No. 17, M. G. Road  
Bangalore - 560001  
Tel:080 6789 1689  
Contact: Ms. Vidya Jagdeesh  
e.mail: mcstraining.in.@siemens.com

6) (Only Machine Tool Drives Training)  
**PUNE - CENTRE**  
SIEMENS-ESSKAY TRAINING CENTRE  
Plot No. BG/SEI, 11-I  
Near Bhosari Telephone Exchange,  
MIDC, Bhosari, PUNE-41'  
Tel:020 3234 8536  
Contact: Mr. Surya Narayanrao / Ms Sandhya  
e.mail: punetc@esskay.in / siemensesskay@gmail.com

**SIEMENS (A&D-DIVISION) CONTACT POINTS FOR CUSTOMER CARE (TRAINING) IN INDIA**

Customers/Participants should contact these Siemens offices, who will further co-ordinate customers training-requirement & inform our Main Training centre TSDC (Kalwa, Near Mumbai) accordingly.

Region	Located in City	Contact Person		Address / Phone / Email	Remarks (Client Locations) *
		Technical	Commercial		
NORTH	Delhi	Sanjeev Ghosh	Mr. Amit Mishra	4-A, Ring Road, I.P. Estate, New Delhi-110002 Phone : +91 (11) 42995317 Email - mishra.amit@siemens.com	Area-wise distribution of clients for respective Siemens-regional operations All Clients in the states of Delhi, UP, Uttaranchal Rajasthan, will be having this contact point
	Chandigarh	Sanjeev Ghosh	Vinay Batra	6 Siemens Ltd. Chandigarh SCO 188/190, 2nd Floor, Sector 34A, Guru Nanak Complex, Chandigarh 160 042 +91 172 2666 618/9 +91 172 2666 654	
SOUTH	Chennai	K.Kiran	TK Vasudevan	5th Floor, Nungambakkam 144, Mahatma Gandhi Road, Chennai - 600034 Phone : +91 (44) 28334093 Email - vasudevan.tk@siemens.com	For all Clients in Tamilnadu state
	Hyderabad	K.Kiran	Ms PA Latha	5-9-19, Lakshmi Narasinh Estate, Opp. Secretariat, Saifabad Secunderabad, Hyderabad - 500004 Phone : +91 (40) 23482513 Email - sakshi.rao@siemens.com	
	Bangalore	K.Sahadevan	Jayaraj Nadar	3rd Floor, Jyothi Mahal 49, St. Marks Road, Bnagalore - 560001 Phone : +91 (80) 22042053 Email - jayaraj.nadar@siemens.com	
	Coimbatore	K.Sahadevan	Madhav Bhave	7th Floor Global Tower, 1057 Avinashi Road, Coimbatore - 641018 Phone : +91 (422) 4336332 Email - madhusudan.k@siemens.com	
EAST	Calcutta	Ghanta Basanta	Soumik Mukherjee	43, Shantipalli, Eastern Metropolitan Bypass, R B connector, Calcutta - 700042 Phone : +91 (33) 24449211 Email - soumik.mukherjee@siemens.com	For all Clients in the states of W.Bengal Orissa, Bihar, Assam, Meghalaya, Tripura, Jharkhand will be handled from here.
WEST	Mumbai	Ameet Mehta	Jaywant Wagh	130, Pandurang Budhkar Marg, Worli Phone : +91 (22) 24987308 jaywant.wagh@siemens.com	For all Clients in Maharashtra (except Pune area) Chattisgarh, MP & Goa
	Pune	Ramesh Patil / Ameet Mehta	Jaywant Wagh	701 - 705 / Tower - B, ICC Trade Tower, 403 - A, Senapati Bapat Road, Pune - 411016 Tel: 020 25706033	
	Ahemdabad	Ameet Mehta	Prakash Patel	3rd Floor, Prerna Arbour, Near Girish Cold drinks, Cross Roads, Off C. G. Road, Ahemdabad - 380009 Phone : +91 (79) 40207600 Email - prakash.patel@siemens.com	
HEAD OFFICE		Nilesh Sawant, Ms Shweta Shah, Sudeep D' souza		TSDC, Kalwa Works, Thane Belapur Rd, Thane-400601 Phone -0091-22-2762 3208 (or) 2762 3566 Email : customer.training.in@siemens.com	For additional or general course-queries.

\* By Client location we mean the Techno-commercial office of CLIENT, from where the Client's Training ORDER & respective payment will be released

## GENERAL NOTES & COMMERCIAL TERMS (Common to all the Training Centres operating under SITRAIN-INDIA )

**Note :** Training Centre (SITRAIN-Siemens Kalwa) & 4-ATCS (Authorised Training Centres) are all centrally coordinated, monitored & controlled by Siemens-Sitrain, Kalwa. MCMT (Machine Tool Drives) Training at Bangalore/Pune is controlled from Bangalore.

1> (a) **All the Basic & Advanced courses** will be conducted at Siemens Ltd., **Kalwa Works**, Thane-Belapur Road, Thane - 400 601 (Maharashtra).

(b) **Basic courses**, will be also conducted, in our Authorized Training Centres (ATCs) i.e. **ESSKAY-Navi-Mumbai, KARUNYA-Coimbatore, IATC- Panchkula & Calcutta**

2> **Registration-booking of seats for all clients at ALL Training Centres & Courses will continue to be made CENTRALLY at SITRAIN-KALWA**

by Email / Phone: +91 (022) 27623208 / 27623566. Email / Phone: +91 (022) 27623208 / 27623566. (Contact persons

E-mail : [customer.training.in@siemens.com](mailto:customer.training.in@siemens.com), You may also contact nearest Siemens Regional Office-Customer Care-Regional Service Centre.

3> Course fee is to be paid in advance only on confirmation of seat, in the form of DD/Cheque drawn in favor of SIEMENS LTD & payable at Mumbai or location of our Customer Care Office.

The course fee includes the course material, breakfast, lunch and tea. **The training is non residential.**

4> Since there are limited seats in each programme, the seats are confirmed on 1st come 1st served basis. The course timings are from 8.30 AM to 5.00 PM.

5> (A) Every attempt will be made to conduct the courses as announced. We shall do our best to send timely communication in such situations, if possible.

*However we reserve the right to postpone or cancel the courses due to inadequate booking or circumstances beyond our control.*

*We shall do our best to send timely communication in such situations, if possible.*

(B) Every attempt will also be made to accommodate the participants with SEATS at nearest (geographically) Siemens Training Centre in your area.

**This is valid for all parts of India including North/South/West. Presently Eastern region clients will be given seats in any one of the 4-Training Centres.**

6> Kindly contact us for the course contents and information on **prerequisite qualification / knowledge** to attend the courses.

7> Please note that the course fee is inclusive of service tax at present applicable rate of 12.36 %. However any change in the service tax rate will be accordingly applied.

8> Please note that Rupees rates are applicable ONLY for Indian Nationals sponsored by INDIAN COMPANIES.

For Foreign Nationals or Indian Nationals sponsored by FOREIGN COMPANIES rates will be quoted in **EURO**. Kindly contact us for more details on the same

9> (a) Participants attending courses like TIA Advanced, WinCC, NET ,PCS 7 are recommended to attend TIA Basic with S7 300 before they come for these courses, or should have an equivalent knowledge / experience on S7 - 300 & Step-7 Programming.

(b) Participants attending MASTERDRIVES MC or SIMOTION-D should have good knowledge about AC Drives (like Master Drives or Sinamics S120 or attended these courses).

(c) Participants attending DCS courses (PCS-7 Basic or Advance) should have good knowledge on PLCs preferably Simatic S-7 PLCs & Step-7 Programming (or attended these courses).

**10) All the transactions (mainly commercial) like Training Order, Payment should be done necessarily through your nearest Siemens Regional Office only.**

**You may contact us here at Kalwa Training Centre or Bangalore Training Centre directly, for respective general / technical information (for e.g. course content, address/location etc.)**

**4) DISCOUNT FOR CUSTOMERS, CONFIRMING MORE THAN ONE PARTICIPANTS, AT ALL OUR TRAINING CENTRES (Except MCMT Training below):**

(A) FOR 2 - 3 PARTICIPANTS, WE WILL BE OFFERING 5 % DISCOUNT ON ABOVE.

(B) FOR 4 - 7 PARTICIPANTS, WE WILL BE OFFERING 10 % DISCOUNT ON ABOVE.

(C) FOR 8 PARTICIPANTS & ABOVE, WE WILL BE OFFER DISCOUNTS ON CASE TO CASE BASIS (SINCE IT WILL BE AN INDEPENDENT BATCH).

**STAY-HOTEL NOTES :** For Kalwa & Navi-Mumbai, we have attached list of Hotels for your reference.

For Coimbatore, Chandigarh, Calcutta, Bangalore & Pune, please contact the respective Training Centres directly to get the Hotel-list from them.

## GENERAL NOTES & COMMERCIAL TERMS for MCMT Training Centres (Eklavya-Bangalore & Esskay-Pune)

**Please Note :**

1> The courses are conducted at Siemens Ltd., Eklavya Learning Center, 2nd Floor, Du parc Trinity (Next to Big Kids Kemp) No. 17, M.G. Road, Bangalore - 560001 (Karnataka).

2> Registration of seats for Training Courses can be made by fax or email . Phone: +91 (080) 6789 1689 Fax: +91(080) 6789 1580 **(Contact : Ms Vidya Jagdeesh.)**

For further details please mail to [mctraining.in@siemens.com](mailto:mctraining.in@siemens.com) . Alternatively your order can be sent to our Training Center via post courier.

3> The course fee is to be paid in advance only on confirmation of seat. The course fee is to be paid by DD/Cheque drawn in favor of SIEMENS LTD. and payable at Bangalore

The course fee includes the course material, lunch and tea. It excludes breakfast, accommodation, transport and incidental charges. **The training is non residential.**

4> Since there are limited seats in each programme, the seats are confirmed on 1st come 1st served basis. The course timings are from 9.00 AM to 17.30 Hrs.

5> Every attempt will be made to conduct the courses as announced. However we reserve the right to postpone or cancel the courses due to inadequate booking or circumstances beyond our control. We shall do our best to send timely communication in such situations, if possible.

6> Kindly contact us for the course contents and information on prerequisite qualification / knowledge to attend the courses.

7> Please note that the course fee is exclusive of service tax at present applicable rate of 12.36 %. However any change in the service tax rate will be accordingly applied.

8> Please note that Rupees rates are applicable ONLY for Indian Nationals sponsored by INDIAN COMPANIES.

For Foreign Nationals or Indian Nationals sponsored by FOREIGN COMPANIES rates will be quoted in Euro. Kindly contact us for more details on the same

9> 2nd October will be a Holiday

10) It is recommended that you contact EKLAVYA-Bangalore to verify all above.